

Focus on IFA's work

Edition 5/2018

617.0-IFA:638.3

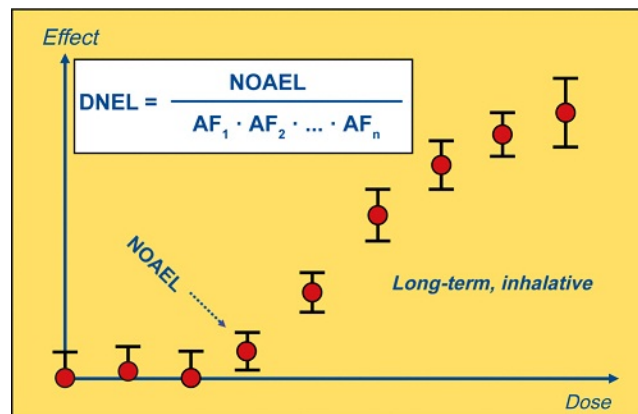
DGUV's GESTIS DNEL list

Problem

For the registration of substances under the European REACH Chemical Regulation, manufacturers or importers must state assessment metrics which serve as a basis for the corresponding protective measures. Deduced levels of exposure below which a substance does not adversely affect human health are described as "derived no-effect levels" (DNELs).

In Germany, the AGWs (workplace limits) of the Technical Rule for Hazardous Substances (TRGS) 900 are still the obligatory air limit values for employers. If no AGW is available, reference must be made to the DNEL in the risk assessment for employees.

Distributors are required to post DNELs in the substance-specific registration entries on the website of the European Chemicals Agency (ECHA). To make direct access to workplace-relevant DNELs easier, the social accident insurance institutions requested IFA to compile DNELs for longer-term inhalation exposure at the workplace and make them available on the Internet free of charge.



Title page of the GESTIS DNEL list

Activities

With the aid of an extensive industry-related partial list of the German social accident insurance institution of the construction industry (BG BAU) and research at ECHA, IFA has compiled workplace-relevant DNELs in an EXCEL list. Responsible for the organisation and structure of the list was a group of experts representing not only the social accident insurance institutions (BG for the construction industry, BG for energy/textiles/electrical/media products, BG for wood- and metal-working, BG for raw materials/chemical industry, BG for the administrative sector and the North-Rhine/Westphalian accident insurance institution), but also experts of the Federal Institute for Occupational Safety and Health (BAuA), the Land government of Hesse, the association of the German chemical industry (VCI) and the Austrian General Accident Insurance Board AUVA.

Results and Application

The DNEL list of the hazardous substance information system GESTIS contains the substance names, CAS numbers, EC numbers, and the employee DNELs for local and systemic effects of long-term inhalation exposure. The list can be searched online for any content.

The GESTIS DNEL list currently contains about 5300 substances being continuously augmented. If different DNELs are published for a certain substance, they are listed in parallel without assessment.

The GESTIS DNEL list thus presents an overview of the so far published DNELs that have been given for long-term inhalation exposure at the workplace. These can be referred to in risk assessments for activities with hazardous substances, e.g. for deciding on protective measures and for checking the effectiveness of the measures taken.

Area of Application

Occupational health and safety officers in industry, at social accident insurance institutions and at public authorities for exposure assessment

Additional Information

- www.dguv.de/ifa/gestis-dnel
- IFA's technical information on REACH: www.dguv.de/ifa/reach
- Nies, E.; Musanke, U.; Püringer, J.; Rühl, R.; Arnone, M.: DNELs for workplaces – observations from an inspection of the DGUV DNEL list. *Gefahrstoffe – Reinhalt. Luft* 73 (2013) No. 11/12, pp. 455-462
- Nies, E.: Aus der Forschung – DNEL – Ein neuer Service der DGUV für alle Branchen. *DGUV Forum* 5 (2013) No. 4, pp. 34-35
- European Chemicals Agency ECHA <http://echa.europa.eu/>

Expert Assistance

IFA, Division 1: Information technology – Risk management

Literature Requests

IFA, Central Division